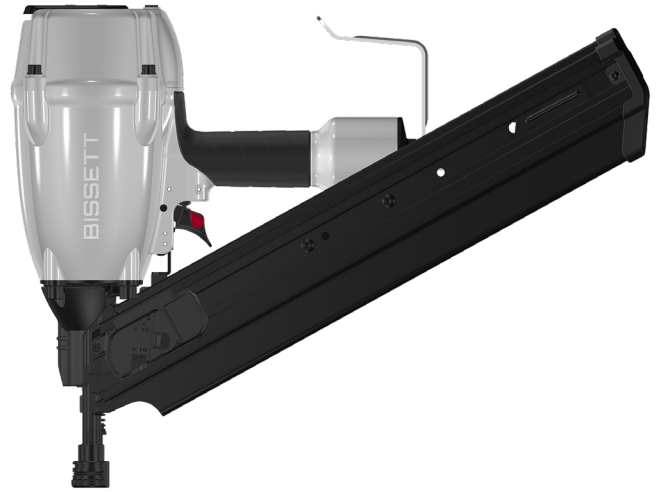


# BT-SN3190

30° - 34° Framing Nailer  
Paper Collated

Tested for Canadian weather extremes. The BT-SN3190 is light weight, powerful, and built to last. Recessed steel exhaust cap ready for those little stud adjustments on the fly.



<b>POWER</b>	1001@120
<b>WEIGHT</b>	8 lbs
<b>HEIGHT</b>	13-3/8"
<b>FASTENER LENGTH</b>	2" - 3-1/2"
<b>FASTENER DIAMETER</b>	.113 - .131
<b>FASTENER ANGLE</b>	30° - 34°
<b>FEATURES</b>	<ul style="list-style-type: none"><li>• 6 Year Limited Warranty</li><li>• Best In Class Power:Weight</li><li>• Cold Weather Tested</li><li>• 2 Function Trigger</li><li>• Dryfire Lockout</li><li>• Depth Adjustment</li><li>• Steel Head Guard Design</li><li>• Rafter Hook</li><li>• 360 D Air M Style Fitting</li><li>• Serrated Nose Piece, with two special aversion claws for better toe nailing</li><li>• No Mar Pad, to protect the workpiece, plus storage compartment for no mar-pad</li></ul>